



COMEX DESIGN  
CATALOG

A modern kitchen interior featuring white cabinetry, a stainless steel refrigerator, a marble backsplash, and a dark countertop with a bar stool. The text "DESIGN YOUR DREAM KITCHEN" is overlaid in the center.

**DESIGN  
YOUR  
DREAM  
KITCHEN**



## MODEL II

CUTTING-EDGE CONTEMPORARY STYLING  
BLENDED WITH HIGH-TECH AND HIGH-FASHION

SEE PAGE 09



COMEX DESIGN

# TABLE OF CONTENTS

ABOUT US	04
OUR MODELS	05
WHAT TO EXPECT	06
MODEL I	07
MODEL II	09
MODEL III	11
MODEL IV	13
MODEL V	15
COMEX+	17

PHOTOGRAPHY @OPENHOUSCTX  
GRAPHIC DESIGN @REMADE\_CRTV



## ABOUT US

---

COMEX DESIGN IS THE PREMIER READY-TO-INSTALL CABINETS, COUNTER TOPS + FLOORING PROVIDER IN TEXAS. OUR MAIN OFFICE IS LOCATED IN HOUSTON, TX. WE PROVIDE DELIVERY AND INSTALLATION TO AUSTIN & DALLAS.

COMEX DESIGN IS YOUR BEST OPTION FOR EASY, READY-TO-INSTALL, HIGH QUALITY CABINETS. OUR ONLINE PRODUCTS ARE EASY TO SELECT AND OUR TEAM OF EXPERTS AT COMEX+ ARE READY TO ASSIST YOU FROM COLOR AND DESIGN SELECTIONS, TO PLANNING OUT YOUR BUDGET.

OUR GUIDING PRINCIPLES OF PERFORMANCE AND CUSTOMER SATISFACTION CONTINUE TO ESTABLISH OUR CABINETRY AS THE BEST IN VALUE, DESIGN, QUALITY, AND CRAFTSMANSHIP. WE STRIVE TO WORK IN EXCELLENCE, AND TO MEET THE NEEDS OF OUR CLIENTS, WORKING EFFECTIVELY AND EFFICIENTLY.



## OUR MODELS

OUR CABINETRY IS READY-TO-INSTALL, BEAUTIFULLY AND CAREFULLY DESIGNED WITH EVERY DETAIL OF FLOW AND FUNCTION IN MIND, OFFERING SOLUTIONS TO IMPROVE EVERY MOVEMENT AND PURPOSE.

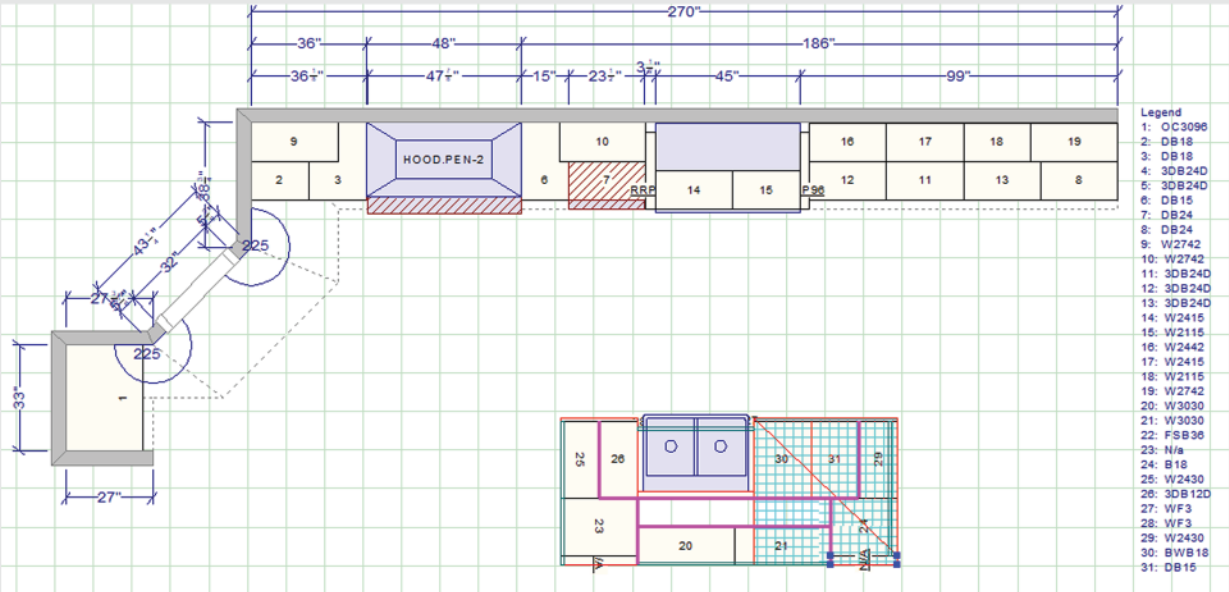
WHETHER YOU'RE BUILDING A NEW HOME, REMODELING YOUR KITCHEN, REFRESHING YOUR BATHROOM, OR DESIGNING ANY SPACE IN YOUR HOME OR OFFICE, OUR CABINETRY IS A BEAUTIFUL CHOICE AND A WISE INVESTMENT.

PLEASE CONTACT US WITH ANY QUESTIONS AT [COMEX-DESIGN.COM](http://COMEX-DESIGN.COM)

# WHAT TO EXPECT

OUR TEAM OF EXPERTS WILL HELP DESIGN YOUR SPACE IN YOUR STYLE, TO FIT YOUR NEEDS. THEY WILL PROVIDE 3D RENDERINGS, FLOOR PLANS, ITEMIZED QUOTES, AN EASY-TO-READ LEGEND, AND MUCH MORE!

## EASY-TO-READ LEGEND



## FLOOR PLAN DESIGN



# MODEL I

---

SHAKER KITCHEN CABINETS ARE A POPULAR TREND IN CURRENT KITCHEN RENOVATIONS, BECAUSE OF THE CLASSIC AND SIMPLE LOOK THEY GIVE TO EITHER A TRADITIONAL OR CONTEMPORARY DESIGN.

WHILE THE MINIMAL ORNAMENTATION AND STRAIGHT LINES OF SHAKER CABINETS LEND THEMSELVES TO THE MODERN LOOK, THESE CABINETS ALSO FUNCTION WELL IN A MORE TRADITIONAL DESIGN. WARM, HONEY-COLORED WOOD TONES CAN BE USED AND PAIRED WITH MORE TRADITIONAL HARDWARE.

WHETHER YOU SEEK A MODERN OR MORE TRADITIONAL KITCHEN IN YOUR HOME, USING SHAKER-STYLE CABINETS CAN GIVE YOU A HIGH STYLE LOOK WHILE BEING DURABLE AND LONG-LASTING.

THIS DESIGN INCLUDES A TALL, CABINET PANTRY AND AN EXTENDED ISLAND COUNTERTOP.

VISIT OUR WEBSITE FOR MORE DETAILS AT:  
[WWW.COMEX-DESIGN.COM](http://WWW.COMEX-DESIGN.COM)



# MODEL II

---

THIS COLLECTION IS DESIGNED WITH CUTTING-EDGE CONTEMPORARY STYLING AND BLENDS HIGH-TECH WITH HIGH-FASHION. IT DELIVERS EASY AND READY-TO-INSTALL, HIGH-END QUALITY CABINETS, FROM A TRADITIONAL TO CHIC CONTEMPORARY STYLE. WE COMBINE BASE WALL CABINETS AND THREE DRAWER CABINETS TO PROVIDE PLENTY OF STORAGE SPACE. INSTALLING 12 DEEP, UPPER CABINETS AS BASE CABINETS, AND ADDING FLOATING SHELVES, GIVES IT THAT MODERN MODERN AND UNIQUE TOUCH.

OUR WIDE PANTRY CABINETS CAN BE PLACED NEXT TO THE REFRIGERATOR USING RRP (REFRIGERATOR PANELS). WE ADD 24 DEEP, UPPER FRIDGE CABINETS FOR ADDITIONAL STORAGE. A SINGLE MICROWAVE CABINET ALLOWS EASIER ACCESS AND EVEN MORE STORAGE SPACE IN YOUR KITCHEN.

THIS DESIGN PROVIDES EVERYTHING YOU WANT AND NEED, AND MAKES A POWERFUL STATEMENT TO YOUR KITCHEN.

VISIT OUR WEBSITE FOR MORE DETAILS AT:  
[WWW.COMEX-DESIGN.COM](http://WWW.COMEX-DESIGN.COM)



# MODEL III

---

SHAKER KITCHEN CABINETS ARE AMERICA'S MOST POPULAR STYLE OF CABINET DOORS. THEY'RE BUILT WITH GREAT QUALITY WOOD PRODUCTS AND ARE EASY TO CLEAN. THIS MODEL HAS A MINIMALIST LOOK WITH A TOUCH OF ELEGANCE. IT COMBINES A MODERN FEEL WITH THE TRADITIONAL LOOK OF SHAKER-STYLE CABINETS.

INSTALLING SHAKER-STYLE CABINETS IN YOUR HOME WILL DEVELOP THE AMBIANCE OF YOUR LIVING QUARTERS FOR THE BETTER. SHAKER-STYLE CABINETS LET YOU FASHION YOUR DOMESTIC ARRANGEMENTS UNIQUELY, BUT WITH AN AURA OF SIMPLICITY. YOU'LL NOT ONLY CHANGE THE LOOK OF YOUR HOME, BUT ALSO HOW YOU FEEL: UNCOMPLICATED AND FREE.

VISIT OUR WEBSITE FOR MORE DETAILS AT:  
[WWW.COMEX-DESIGN.COM](http://WWW.COMEX-DESIGN.COM)



# MODEL IV

---

THIS COLLECTION IS BEAUTIFULLY DESIGNED WITH A SLEEK, CLEAN, ELEGANT AND MODERN AESTHETIC AND WITH PLENTY OF STORAGE SPACE. SLEEK CONTEMPORARY SURFACES ARE AN ICONIC CHOICE FOR SOME DESIGNS. OUR CONTEMPORARY STYLES INCLUDE AN EXPANSIVE PALETTE OF MODERN CABINET FINISHES, ALUMINUM FRAMED ACCENTS, AND STUNNING DOOR STYLES.

THIS DESIGN INCLUDES A TALL, CABINET PANTRY, EASY REACH SUSAN AND A WALL DIAGONAL CORNER CABINET. THE ISLAND INCLUDES A MICROWAVE BASE CABINET, ADDITIONAL DEEP, DRAWER AND CABINET SPACE. THIS ISLAND CAN BE CUSTOMIZED TO REPLACE THE DRAWER SPACE WITH DOORS AND A SHELF. WITH THIS DESIGN, YOU CAN USE EVERY INCH OF YOUR KITCHEN SPACE.

VISIT OUR WEBSITE FOR MORE DETAILS AT:  
[WWW.COMEX-DESIGN.COM](http://WWW.COMEX-DESIGN.COM)



# MODEL V

---

THIS MODEL COMES WITH BEAUTIFUL SHAKER CABINETS AND AN EXTENDED ISLAND COUNTERTOP. THESE CABINETS ARE DESIGNED WITH CLEAN LINES AND CAN GIVE ANY SPACE A CLASSIC LOOK. THE MOST BASIC SHAKER STYLE CABINET DOOR IS A FIVE-PIECE DOOR WITH A RECESSED CENTER PANEL AND NO ADDITIONAL EDGE DETAILING.

THIS DESIGN WORKS PERFECTLY WELL WITH ANY U-SHAPED KITCHEN AND HIGH CEILINGS. IT INCLUDES A WALL MICROWAVE CABINET AND MULTIPLE DRAWER CABINETS IN THE ISLAND, FOR MAXIMUM STORAGE SPACE.

VISIT OUR WEBSITE FOR MORE DETAILS AT:  
[WWW.COMEX-DESIGN.COM](http://WWW.COMEX-DESIGN.COM)





WORK ONE-ON-ONE WITH AN EXPERT DESIGNER ON YOUR NEW SPACE! WE'LL PROVIDE 3D RENDERINGS, FLOOR PLANS, ITEMIZED QUOTES, AND MORE. OUR TEAM OF EXPERTS WILL HELP DESIGN YOUR SPACE IN YOUR STYLE, TO FIT YOUR NEEDS.

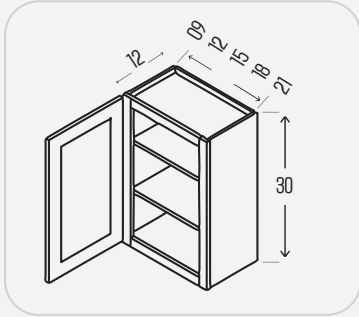
COMEX+

YOUR CABINETRY DESIGNER WILL BE INSTRUMENTAL IN WALKING YOU THROUGH THE DIFFERENT CONSTRUCTION METHODS, MATERIALS, PRICING, AND WIDE ARRAY OF DESIGN OPTIONS TO HELP YOU DISCOVER THE CABINETRY THAT IS BEST FOR YOUR PROJECT AND YOUR BUDGET.

VISIT OUR WEBSITE FOR MORE DETAILS AT:  
[WWW.COMEX-DESIGN.COM/COMEX+](http://WWW.COMEX-DESIGN.COM/COMEX+)

## WALL CABINET

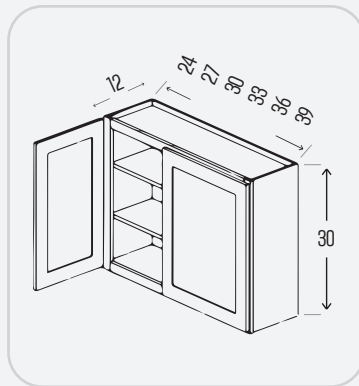
1 DOOR  
2 ADJUSTMENT SHELVES



STYLE	WIDTH	HEIGHT	DEPTH	PRICE (\$)	PRICE (\$)
W 0930	9	30	12	105	105
W 1230	12	30	12	120	120
W 1530	15	30	12	138	138
W 1830	18	30	12	154	154
W 2130	21	30	12	170	170

## WALL CABINET 2 DOOR

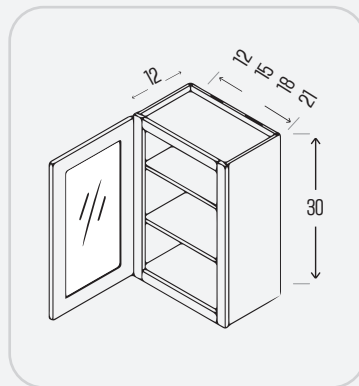
2 DOORS  
2 ADJUSTMENT SHELVES



STYLE	WIDTH	HEIGHT	DEPTH	PRICE (\$)	PRICE (\$)
W 2430	24	30	12	187	187
W 2730	27	30	12	204	204
W 3030	30	30	12	224	224
W 3330	33	30	12	241	241
W 3630	36	30	12	262	262
W 3930	39	30	12	292	292

## WALL CABINET WITH GLASS DOOR

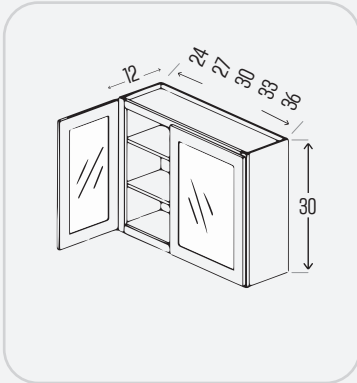
1 GLASS DOOR  
2 ADJUSTMENT SHELVES



STYLE	WIDTH	HEIGHT	DEPTH	PRICE (\$)	PRICE (\$)
W 1230+G	12	30	12	208	208
W 1530+G	15	30	12	250	250
W 1830+G	18	30	12	292	292
W 2130+G	21	30	12	332	332

## WALL CABINET WITH 2 GLASS DOORS

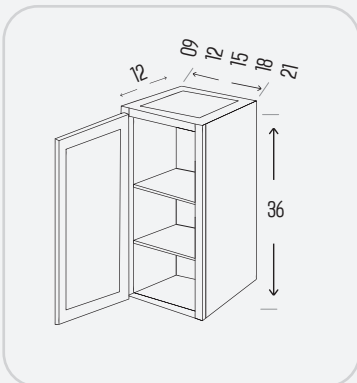
2 GLASS DOORS  
2 ADJUSTMENT SHELVES



STYLE	WIDTH	HEIGHT	DEPTH	PRICE (\$)	PRICE (\$)
W 2430+G	24	30	12	374	374
W 2730+G	27	30	12	416	416
W 3030+G	30	30	12	458	458
W 3330+G	33	30	12	499	499
W 3630+G	36	30	12	540	540

## WALL CABINET

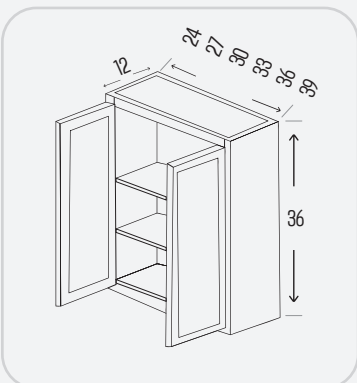
1 DOOR  
2 ADJUSTMENT SHELVES



STYLE	WIDTH	HEIGHT	DEPTH	PRICE (\$)	PRICE (\$)
W 0936	9	36	12	129	129
W 1236	12	36	12	145	145
W 1536	15	36	12	162	162
W 1836	18	36	12	183	183
W 2136	21	36	12	203	203

## WALL CABINET 2 DOORS

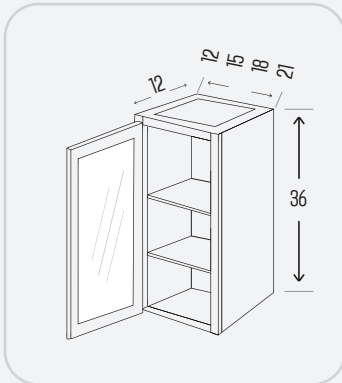
2 DOORS  
2 ADJUSTMENT SHELVES



STYLE	WIDTH	HEIGHT	DEPTH	PRICE (\$)	PRICE (\$)
W 2436	24	36	12	224	224
W 2736	27	36	12	245	245
W 3036	30	36	12	262	262
W 3336	33	36	12	287	287
W 3636	36	36	12	312	312
W 3936	39	36	12	328	328

## WALL CABINET WITH GLASS DOOR

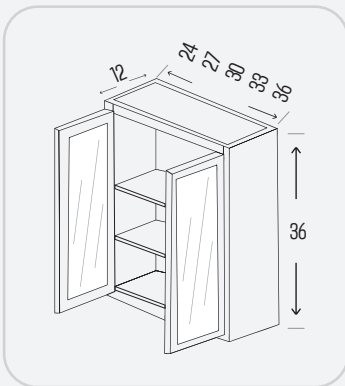
1 GLASS DOOR  
2 ADJUSTMENT SHELVES



STYLE	WIDTH	HEIGHT	DEPTH	PRICE (\$)	PRICE (\$)
W 1236+G	12	36	12	241	241
W 1536+G	15	36	12	287	287
W 1836+G	18	36	12	337	337
W 2136+G	21	36	12	387	387

## WALL CABINET + 2 GLASS DOORS

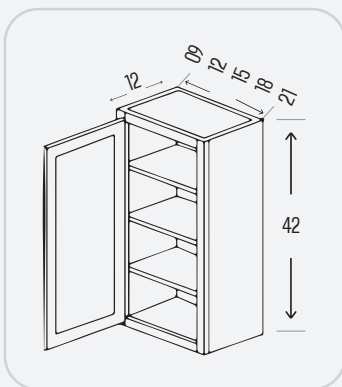
2 GLASS DOORS  
2 ADJUSTMENT SHELVES



STYLE	WIDTH	HEIGHT	DEPTH	PRICE (\$)	PRICE (\$)
W 2436+G	24	36	12	437	437
W 2736+G	27	36	12	486	486
W 3036+G	30	36	12	532	532
W 3336+G	33	36	12	586	586
W 3636+G	36	36	12	640	640

## WALL CABINET

1 DOOR  
3 ADJUSTMENT SHELVES



STYLE	WIDTH	HEIGHT	DEPTH	PRICE (\$)	PRICE (\$)
W 0942	9	42	12	145	145
W 1242	12	42	12	170	170
W 1542	15	42	12	196	196
W 1842	18	42	12	208	208
W 2142	21	42	12	237	237

## WALL CABINET 2 DOORS

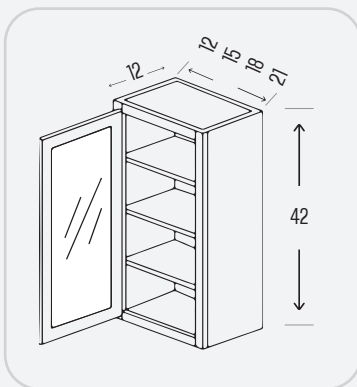
2 DOORS  
3 ADJUSTMENT SHELVES



STYLE	WIDTH	HEIGHT	DEPTH	PRICE (\$)	PRICE (\$)
W 2442	24	42	12	254	254
W 2742	27	42	12	278	278
W 3042	30	42	12	299	299
W 3342	33	42	12	320	320
W 3642	36	42	12	349	349
W 3942	39	42	12	370	370

## WALL CABINET WITH GLASS DOOR

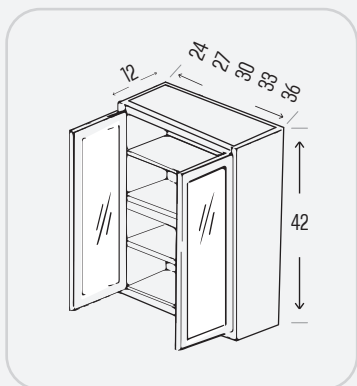
1 DOOR  
3 ADJUSTMENT SHELVES



STYLE	WIDTH	HEIGHT	DEPTH	PRICE (\$)	PRICE (\$)
W 1242+G	12	42	12	283	283
W 1542+G	15	42	12	341	341
W 1842+G	18	42	12	387	387
W 2142+G	21	42	12	449	449

## WALL CABINET 2 GLASS DOORS

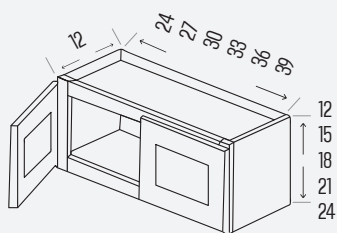
2 GLASS DOORS  
3 ADJUSTMENT SHELVES



STYLE	WIDTH	HEIGHT	DEPTH	PRICE (\$)	PRICE (\$)
W 2442+G	24	42	12	499	499
W 2742+G	27	42	12	558	558
W 3042+G	30	42	12	611	611
W 3342+G	33	42	12	666	666
W 3642+G	36	42	12	728	728

# WALL CABINET

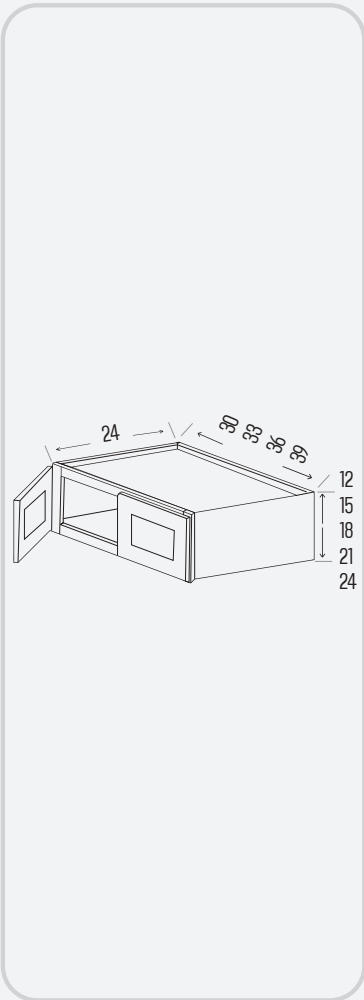
2 DOORS



STYLE	WIDTH	HEIGHT	DEPTH	PRICE (\$)	PRICE (\$)
W 2112	21	12	12	102	102
W 2115	21	15	12	120	120
W 2118	21	18	12	136	136
W 2124	21	24	12	163	163
W 2412	24	12	12	111	111
W 2415	24	15	12	129	129
W2418	24	18	12	145	145
W 2424	24	24	12	170	170
W2712	27	12	12	124	124
W2715	27	15	12	141	141
W 2718	27	18	12	154	154
W 2724	27	24	12	179	179
W 3012	30	12	12	132	132
W 3015	30	15	12	150	150
W 3018	30	18	12	166	166
W 3021	30	21	12	184	184
W 3024	30	24	12	193	193
W 3312	33	12	12	145	145
W 3315	33	15	12	166	166
W 3318	33	18	12	179	179
W 3321	33	21	12	193	193
W 3324	33	24	12	205	205
W 3612	36	12	12	158	158
W 3615	36	15	12	175	175
W 3618	36	18	12	193	193
W 3621	36	21	12	209	209
W 3624	36	24	12	234	234
W 3912	39	12	12	193	193
W 3918	39	18	12	209	209
W 3924	39	24	12	252	252

# WALL CABINET

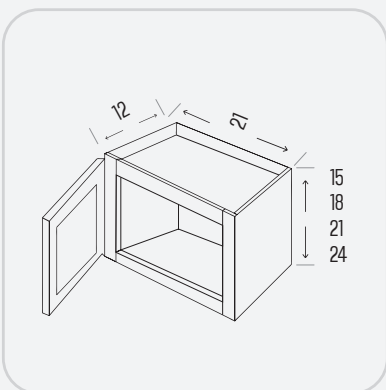
## 2 DOORS



STYLE	WIDTH	HEIGHT	DEPTH	PRICE (\$)	PRICE (\$)
W 301224	30	12	24	170	170
W 301524	30	15	24	179	179
W 301824	30	18	24	188	188
W 302124	30	21	24	197	197
W 331224	33	12	24	179	179
W 331524	33	15	24	197	197
W 331824	33	18	24	222	222
W 332124	33	21	24	239	239
W 361224	36	12	24	197	197
W 361524	36	15	24	222	222
W 361824	36	18	24	248	248
W 362124	36	21	24	273	273
W 391224	39	12	24	213	213
W 391824	39	18	24	273	273

# WALL CABINET 1 DOOR

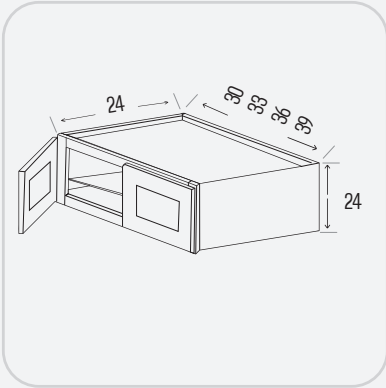
## 1 DOOR



STYLE	WIDTH	HEIGHT	DEPTH	PRICE (\$)	PRICE (\$)
W 2115	21	15	12	119	119
W 2118	21	18	12	136	136
W 2121	21	21	12	163	163
W 2124	21	24	12	163	163

## WALL CABINET 2 DOORS + 1 SHELF

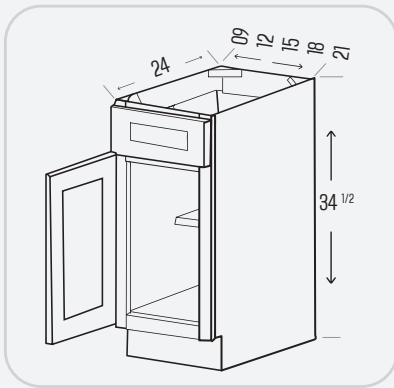
2 DOORS  
1 SHELF



STYLE	WIDTH	HEIGHT	DEPTH	PRICE (\$)	PRICE (\$)
W302424	30	24	24	205	205
W332424	33	24	24	256	256
W362424	36	24	24	299	299
W392424	39	24	24	333	333

## BASE CABINET

1 DOOR  
1 ADJUSTMENT SHELF  
1 DRAWER



STYLE	WIDTH	HEIGHT	DEPTH	PRICE (\$)	PRICE (\$)
B 09	9	34 1/2	24	175	175
B 12	12	34 1/2	24	187	187
B 15	15	34 1/2	24	200	200
B 18	18	34 1/2	24	216	216
B 21	21	34 1/2	24	233	233

## BASE CABINET 2 DOORS

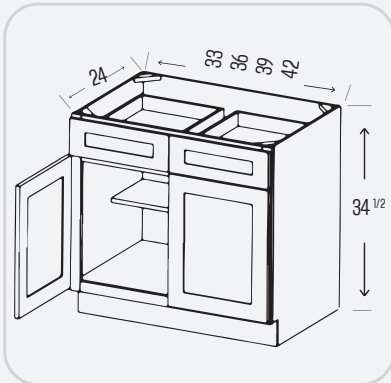
2 DOORS  
1 ADJUSTMENT SHELF  
1 DRAWER



STYLE	WIDTH	HEIGHT	DEPTH	PRICE (\$)	PRICE (\$)
B 24	24	34 1/2	24	257	257
B 27	27	34 1/2	24	275	275
B 30	30	34 1/2	24	291	291

## BASE CABINET 2 DOORS & 2 DRAWERS

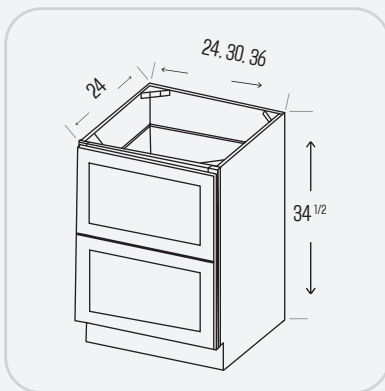
2 DOORS  
1 ADJUSTMENT SHELF  
2 DRAWERS



STYLE	WIDTH	HEIGHT	DEPTH	PRICE (\$)	PRICE (\$)
B 33	33	34 1/2	24	325	325
B 36	36	34 1/2	24	349	349
B 39	39	34 1/2	24	383	383
B 42	42	34 1/2	24	416	416

## DEEP DRAWER BASE CABINET

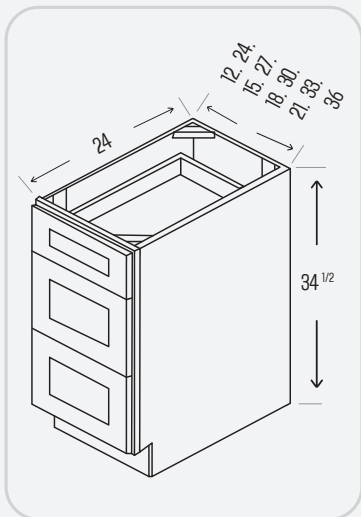
2 BIG DRAWERS



STYLE	WIDTH	HEIGHT	DEPTH	PRICE (\$)	PRICE (\$)
DDB24	24	34 1/2	24	383	383
DDB30	30	34 1/2	24	416	416
DDB36	36	34 1/2	24	449	449

## DRAWER BASE CABINET

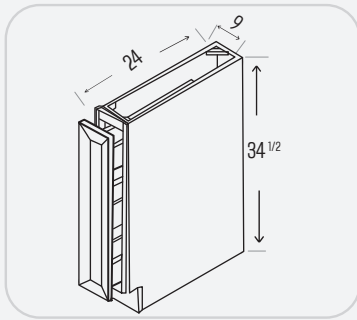
1 SMALL DRAWER  
2 BIG DRAWERS



STYLE	WIDTH	HEIGHT	DEPTH	PRICE (\$)	PRICE (\$)
DB 12	12	34 1/2	24	325	325
DB 15	15	34 1/2	24	332	332
DB 18	18	34 1/2	24	341	341
DB 21	21	34 1/2	24	349	349
DB 24	24	34 1/2	24	358	358
DB 27	27	34 1/2	24	383	383
DB 30	30	34 1/2	24	399	399
DB 33	33	34 1/2	24	424	424
DB 36	36	34 1/2	24	432	432

## BASE SPICE RACK

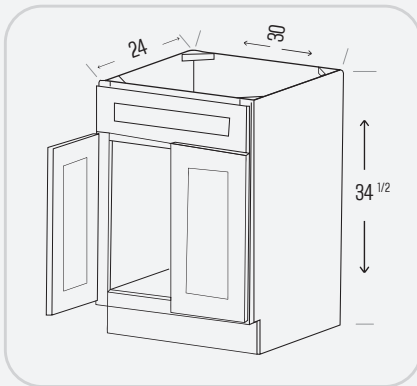
3 PULL OUT SHELVES



STYLE	WIDTH	HEIGHT	DEPTH	PRICE (\$)	PRICE (\$)
SPR 09	09	34 1/2	24	233	233

## SINK BASE CABINET

2 DOORS  
1 DUMMY DRAWER



STYLE	WIDTH	HEIGHT	DEPTH	PRICE (\$)	PRICE (\$)
SB 30	30	34 1/2	24	257	257

## SINK BASE CABINET

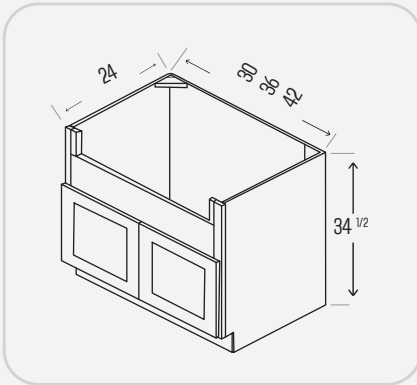
2 DOORS



STYLE	WIDTH	HEIGHT	DEPTH	PRICE (\$)	PRICE (\$)
SB 33	33	34 1/2	24	275	275
SB 36	36	34 1/2	24	291	291
SB 42	42	34 1/2	24	317	317

## FARMER SINK BASE CABINET

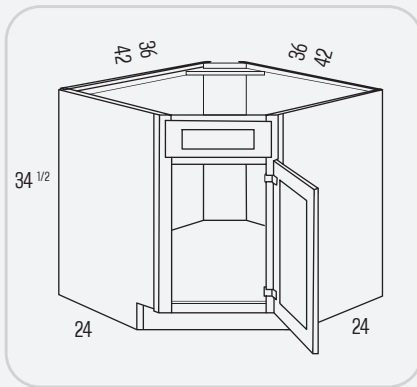
2 DOORS



STYLE	WIDTH	HEIGHT	DEPTH	PRICE (\$)	PRICE (\$)
FSB 30	30	34 1/2	24	268	268
FSB 36	36	34 1/2	24	291	291
FSB 42	42	34 1/2	24	317	317

## CORNER SINK BASE CABINET

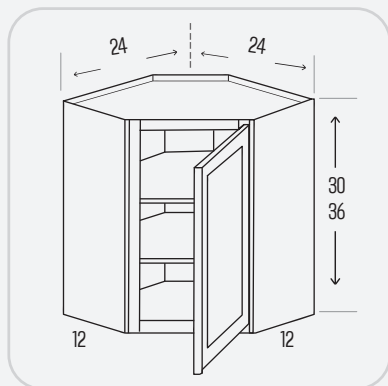
1 DOOR  
1 DUMMY DRAWER



STYLE	WIDTH	HEIGHT	DEPTH	PRICE (\$)	PRICE (\$)
CSB 36	36	34 1/2	24	432	432
CSB 42	42	34 1/2	24	449	449

## WALL DIAGONAL CORNER CABINET

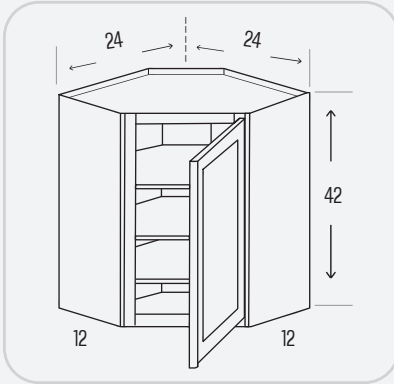
1 DOOR  
2 ADJUSTABLE SHELVES



STYLE	WIDTH	HEIGHT	DEPTH	PRICE (\$)	PRICE (\$)
WDC2430	24	30	12	263	263
WDC2436	24	36	12	290	290

## WALL DIAGONAL CORNER CABINET 3 SHELVES

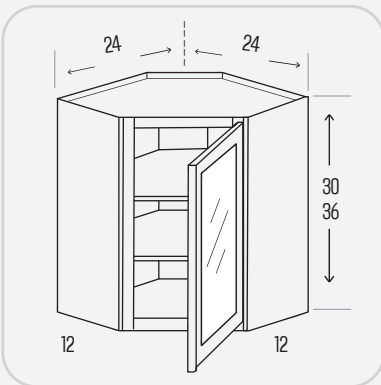
1 DOOR  
3 ADJUSTABLE SHELVES



STYLE	WIDTH	HEIGHT	DEPTH	PRICE (\$)	PRICE (\$)
WDC2442	24	42	12	316	316

## WALL DIAGONAL CORNER CABINET + GLASS DOOR

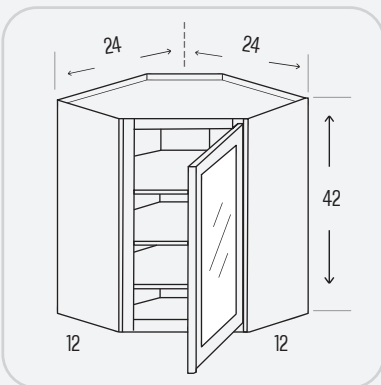
1 DOOR  
2 ADJUSTABLE SHELVES



STYLE	WIDTH	HEIGHT	DEPTH	PRICE (\$)	PRICE (\$)
WDC2430+G	24	30	12	432	432
WDC2436+G	24	36	12	485	485

## WALL DIAGONAL CORNER CABINET 3 SHELVES + GLASS

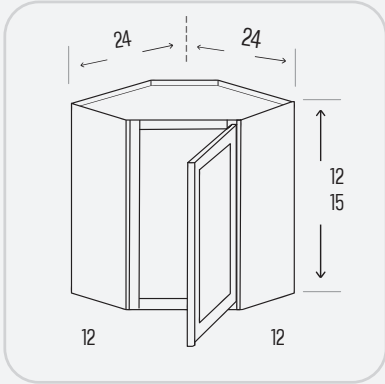
1 DOOR  
3 ADJUSTABLE SHELVES



STYLE	WIDTH	HEIGHT	DEPTH	PRICE (\$)	PRICE (\$)
WDC2442+G	24	42	12	535	535

## DOUBLE STACK DIAGONAL CORNER CABINET

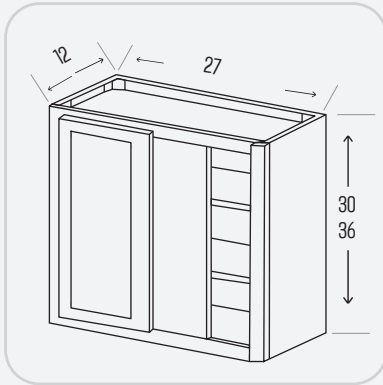
1 DOOR  
NO SHELVES



STYLE	WIDTH	HEIGHT	DEPTH	PRICE (\$)	PRICE (\$)
WDC2412	24	12	12	330	330
WDC2415	24	15	12	374	374

## WALL BLIND CORNER CABINET

1 DOOR (LEFT OR RIGHT)  
2 ADJUSTABLE SHELVES



STYLE	WIDTH	HEIGHT	DEPTH	PRICE (\$)	PRICE (\$)
WBC2730	27	30	12	231	231
WBC2736	27	36	12	247	247

## WALL BLIND CORNER CABINET 3 SHELVES

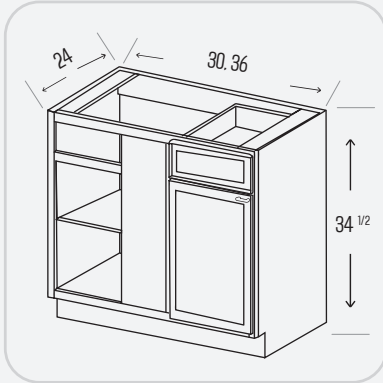
1 DOOR (LEFT OR RIGHT)  
3 ADJUSTABLE SHELVES



STYLE	WIDTH	HEIGHT	DEPTH	PRICE (\$)	PRICE (\$)
WBC2742	27	42	12	265	265

## BASE BLIND CORNER CABINET

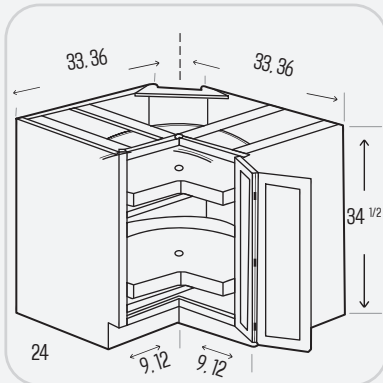
- 1 DOOR (LEFT OR RIGHT)
- 1 DRAWER (LEFT OR RIGHT)
- 1 ADJUSTABLE SHELF



STYLE	WIDTH	HEIGHT	DEPTH	PRICE (\$)	PRICE (\$)
BBC3639 30	30	34 1/2	24	332	332
BBC4245 36	36	34 1/2	24	349	349

## EASY REACH LAZY SUSAN

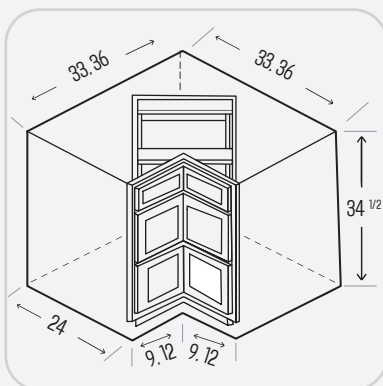
- 1 BI-FOLDING DOOR
- 2 WOODEN KIDNEY-SHAPED SUSANS



STYLE	WIDTH	HEIGHT	DEPTH	PRICE (\$)	PRICE (\$)
LS3309	33	34 1/2	24	358	358
LS3612	36	34 1/2	24	382	382

## 3 DRAWER DIAGONAL CORNER BASE CABINET

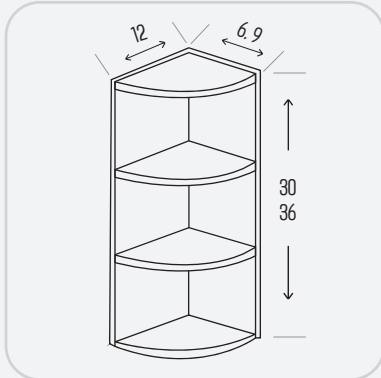
- 1 SMALL DRAWER
- 2 BIG DRAWERS



STYLE	WIDTH	HEIGHT	DEPTH	PRICE (\$)	PRICE (\$)
Cddb3309	33	34 1/2	24	358	358
Cddb3612	36	34 1/2	24	382	382

## WALL EDGE 3 SHELVES

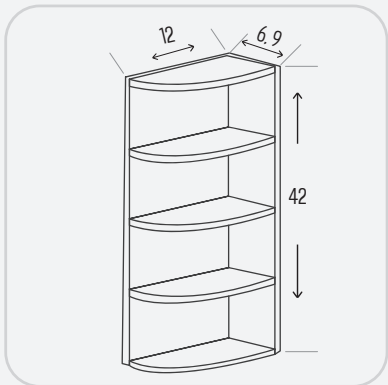
3 FIXED SHELVES



STYLE	WIDTH	HEIGHT	DEPTH	PRICE (\$)	PRICE (\$)
WES 630	6	30	12	81	81
WES 930	9	30	12	110	110
WES 636	6	36	12	99	99
WES 936	9	36	12	123	123

## WALL EDGE 4 SHELVES

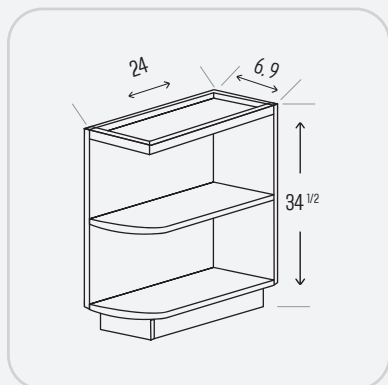
4 FIXED SHELVES



STYLE	WIDTH	HEIGHT	DEPTH	PRICE (\$)	PRICE (\$)
WES 642	6	42	12	117	117
WES 942	9	42	12	123	123

## BASE EDGE SHELVE

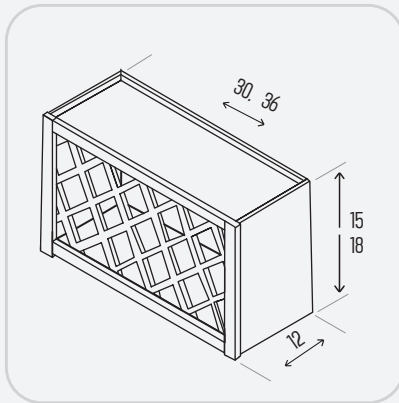
2 FIXED SHELVES



STYLE	WIDTH	HEIGHT	DEPTH	PRICE (\$)	PRICE (\$)
BES 6	6	34 1/2	24	179	179
BES 9	9	34 1/2	24	196	196

## WINE RACK

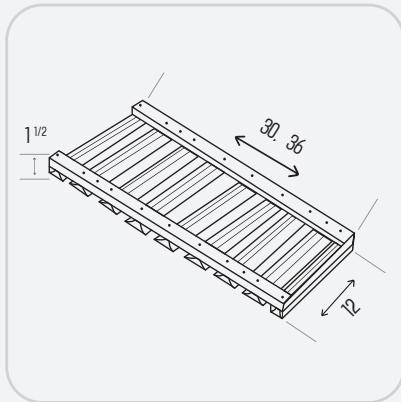
10 - 13 COMPARTMENTS



STYLE	WIDTH	HEIGHT	DEPTH	PRICE (\$)	PRICE (\$)
WR3015	30	15	12	169	169
WR3018	30	18	12	186	186
WR3615	36	15	12	195	195
WR3618	36	18	12	216	216

## WINE GLASS HOLDER

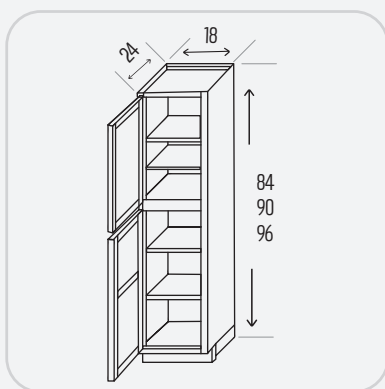
7 RAIL OPENINGS



STYLE	WIDTH	HEIGHT	DEPTH	PRICE (\$)	PRICE (\$)
WGH30	30	1 1/2	12	55	55
WGH36	36	1 1/2	12	68	68

## PANTRY CABINET

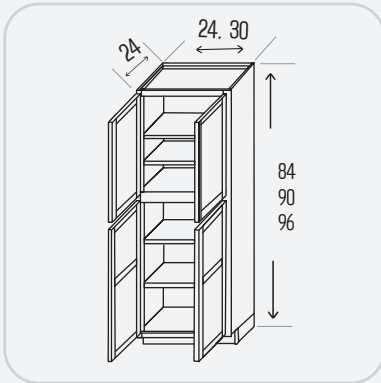
2 DOORS  
2 TOP ADJUSTABLE SHELVES  
2 BOTTOM ADJUSTABLE SHELVES



STYLE	WIDTH	HEIGHT	DEPTH	PRICE (\$)	PRICE (\$)
WP1884	18	84	24	487	487
WP1890	18	90	24	501	501
WP1896	18	96	24	515	515

## PANTRY CABINET 4 DOORS

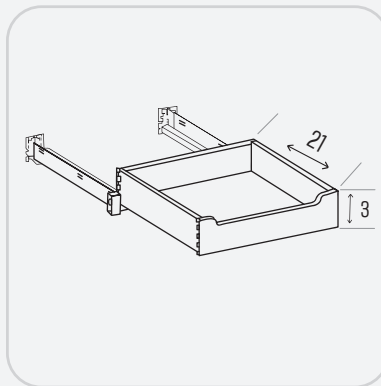
4 DOORS  
2 ADJUSTABLE TOP SHELVES  
2 ADJ. BOTTOM SHELVES



STYLE	WIDTH	HEIGHT	DEPTH	PRICE (\$)	PRICE (\$)
WP2484	24	84	24	555	555
WP2490	24	90	24	576	576
WP2496	24	96	24	596	596
WP3084	30	84	24	630	630
WP3090	30	90	24	644	644
WP3096	30	96	24	664	664

## PANTRY PULL OUT SHELVES

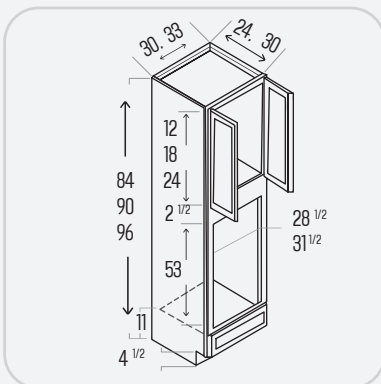
1 TRAY



STYLE	WIDTH	HEIGHT	DEPTH	PRICE (\$)	PRICE (\$)
PT18	18	3	21	50	50
PT 24	24	3	21	58	58
PT 27	27	3	21	63	63
PT30	30	3	21	67	67
PT 33	33	3	21	70	70
PT36	36	3	21	75	75

## OVEN CABINET I

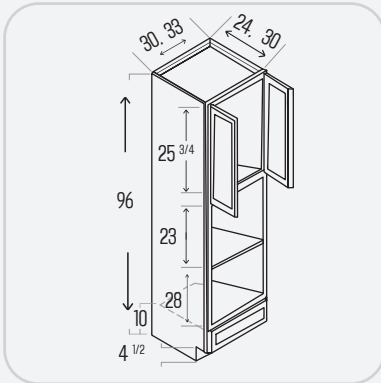
2 DOORS  
1 LARGE OPEN SHELF W/ 53" HEIGHT  
1 SMALL BOTTOM DRAWER



STYLE	WIDTH	HEIGHT	DEPTH	PRICE (\$)	PRICE (\$)
OC3084	30	84	24	699	699
OC3090	30	90	24	733	733
OC3096	30	96	24	765	765
OC3384	33	84	24	715	715
OC3390	33	90	24	748	748
OC3396	33	96	24	782	782

## OVEN CABINET II

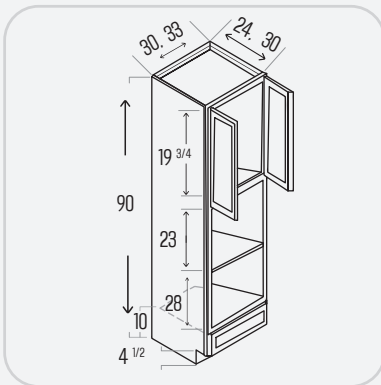
2 DOORS  
2 LARGE OPEN SHELVES  
1 SMALL BOTTOM DRAWER



STYLE	WIDTH	HEIGHT	DEPTH	PRICE (\$)	PRICE (\$)
OC	30	96	24		
OC	30	96	24		
OC	30	96	24		
OC	33	96	24		
OC	33	96	24		
OC	33	96	24		

## OVEN CABINET III

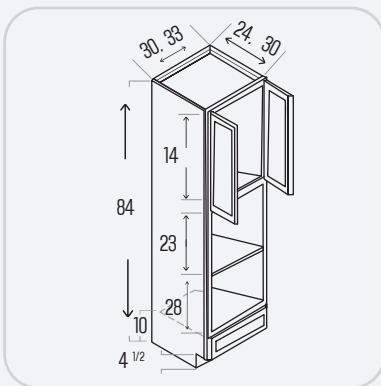
2 DOORS  
1 LARGE OPEN SHELF W/ 53" HEIGHT  
1 SMALL BOTTOM DRAWER



STYLE	WIDTH	HEIGHT	DEPTH	PRICE (\$)	PRICE (\$)
OC	30	90	24		
OC	30	90	24		
OC	30	90	24		
OC	33	90	24		
OC	33	90	24		
OC	33	90	24		

## OVEN CABINET IV

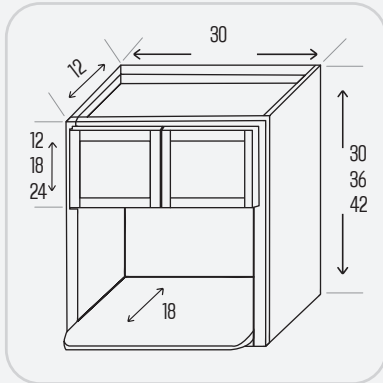
2 DOORS  
1 LARGE OPEN SHELF W/ 53" HEIGHT  
1 SMALL BOTTOM DRAWER



STYLE	WIDTH	HEIGHT	DEPTH	PRICE (\$)	PRICE (\$)
OC	30	84	24		
OC	30	84	24		
OC	30	84	24		
OC	33	84	24		
OC	33	84	24		
OC	33	84	24		

## MICROWAVE WALL CABINET

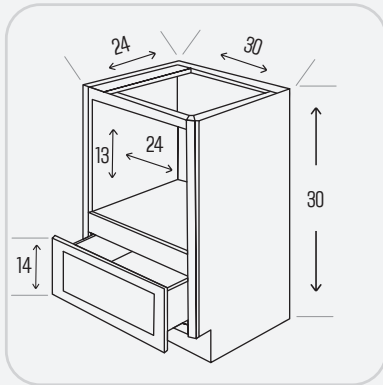
2 DOORS NO SHELF  
1 LARGE OPEN SHELF



STYLE	WIDTH	HEIGHT	DEPTH	PRICE (\$)	PRICE (\$)
WMC3030	30	30	12	256	256
WMC3036	30	36	12	277	277
WMC3042	30	42	12	299	299

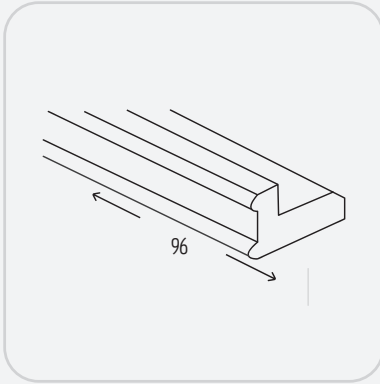
## MICROWAVE BASE CABINET

1 LARGE BOTTOM DRAWER



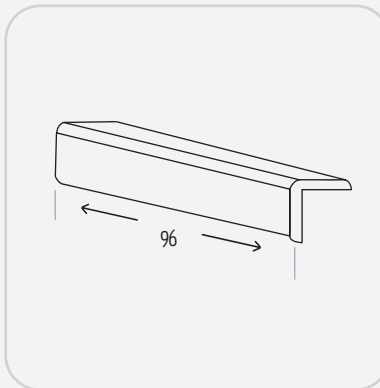
STYLE	WIDTH	HEIGHT	DEPTH	PRICE (\$)	PRICE (\$)
MBC30	30	34 1/2	24	399	399

## LIGHT RAIL MOLDING



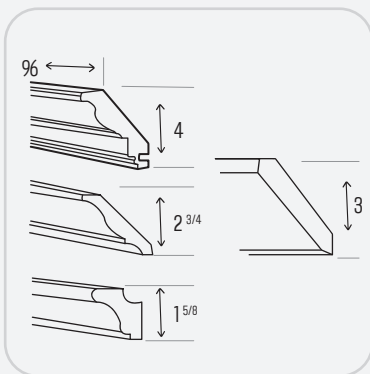
STYLE	WIDTH	HEIGHT	DEPTH	PRICE (\$)	PRICE (\$)
LRM	96	-	-	58	58

## CORNER MOLDING



STYLE	WIDTH	HEIGHT	DEPTH	PRICE (\$)	PRICE (\$)
ICM	96	-	-	21	21

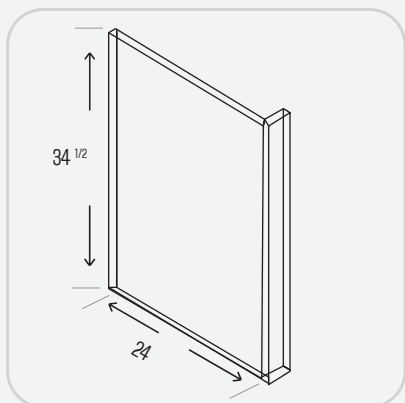
## CROWN MOLDING



STYLE	WIDTH	HEIGHT	DEPTH	PRICE (\$)	PRICE (\$)
CM4F	96	4	-	79	79
CM3F	96	3	-	70	70
CM2 <sup>3/4</sup>	96	2 <sup>3/4</sup>	-	65	65
CM1 <sup>5/8</sup>	96	1 <sup>5/8</sup>	-	46	46

## DISHWASHER END PANEL

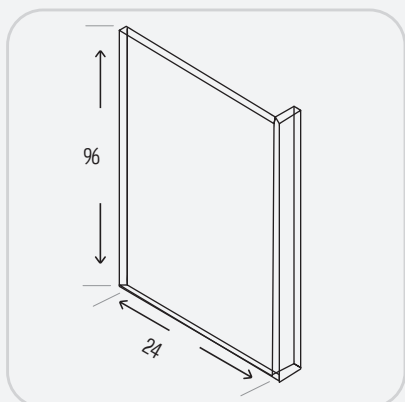
3" RETURN FILLER  
3/4" THICK PANEL



STYLE	WIDTH	HEIGHT	DEPTH	PRICE (\$)	PRICE (\$)
DWP	3	34 1/2	24	51	51

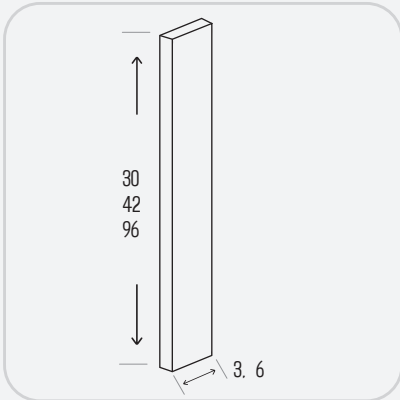
## REFRIGERATOR PANEL

3" RETURN FILLER  
3/4" THICK PANEL



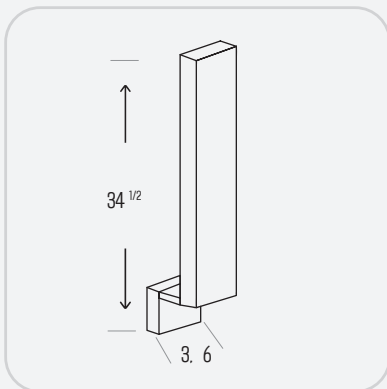
STYLE	WIDTH	HEIGHT	DEPTH	PRICE (\$)	PRICE (\$)
RRP96	3	96	24	139	139

## WALL FILLER



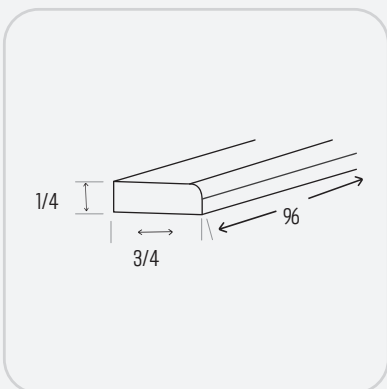
STYLE	WIDTH	HEIGHT	DEPTH	PRICE (\$)	PRICE (\$)
WF330	3	30	-	15	15
WF342	3	42	-	21	21
WF630	6	30	-	22	22
WF642	6	42	-	39	39
WF396	3	96	-	55	55

## BASE FILLER



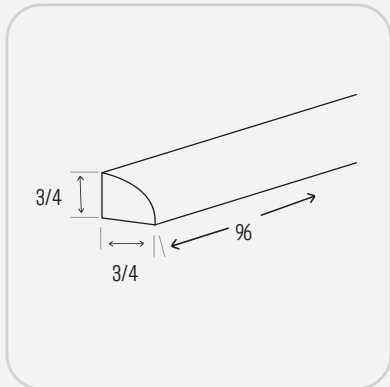
STYLE	WIDTH	HEIGHT	DEPTH	PRICE (\$)	PRICE (\$)
BF3	3	34 1/2	-	21	21
BF6	6	34 1/2	-	39	39

## SCRIBE MOLDING



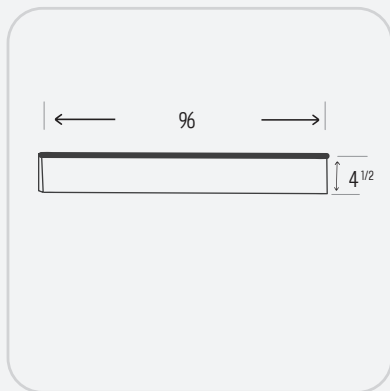
STYLE	WIDTH	HEIGHT	DEPTH	PRICE (\$)	PRICE (\$)
SM8	3/4	1/4	9/6	11	11

## QUARTER ROUND MOLDING



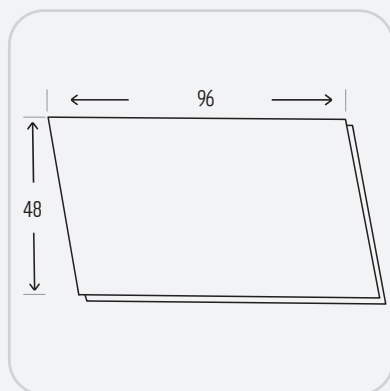
STYLE	WIDTH	HEIGHT	DEPTH	PRICE (\$)	PRICE (\$)
QRM8	3/4	3/4	9/6	14	14

## TOE KICK



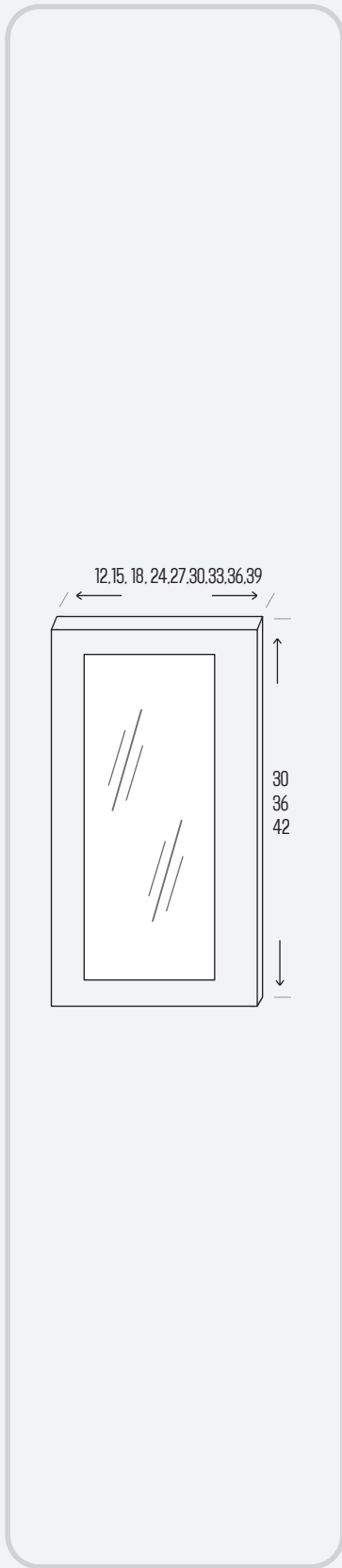
STYLE	WIDTH	HEIGHT	DEPTH	PRICE (\$)	PRICE (\$)
TK8	9/6	4	-	19	19

## SKIN PANEL



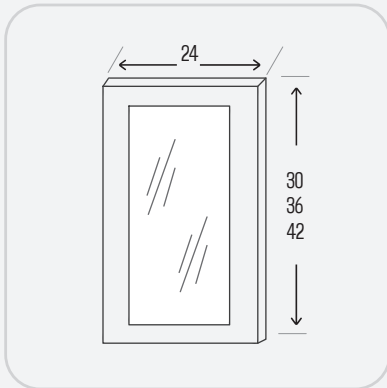
STYLE	WIDTH	HEIGHT	DEPTH	PRICE (\$)	PRICE (\$)
SP4896 <sup>1/4</sup>	48	9/6	-	92	92

# GLASS DOOR FOR WALL CABINET



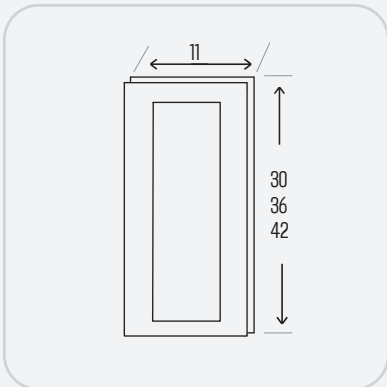
STYLE	WIDTH	HEIGHT	DEPTH	PRICE (\$)	PRICE (\$)
WGD1230	12	30	-	79	79
WGD1530	15	30	-	109	109
WGD1830	18	30	-	138	138
WGD2130	21	30	-	166	166
WGD2430	12	30	-	196	196
WGD2730	13.5	30	-	224	224
WGD3030	15	30	-	254	254
WGD3330	16.5	30	-	283	283
WGD3630	18	30	-	312	312
WGD3930	-	-	-	-	-
WGD1236	12	36	-	96	96
WGD1536	15	36	-	124	124
WGD1836	18	36	-	154	154
WGD2136	21	36	-	183	183
WGD2436	12	36	-	212	212
WGD2736	13.5	36	-	241	241
WGD3036	15	36	-	270	270
WGD3336	16.5	36	-	299	299
WGD3636	18	36	-	328	328
WGD3936	-	-	-	-	-
WGD1242	12	42	-	112	112
WGD1542	15	42	-	145	145
WGD1842	18	42	-	179	179
WGD2142	21	42	-	212	212
WGD2442	12	42	-	245	245
WGD2742	13.5	42	-	278	278
WGD3042	15	42	-	312	312
WGD3342	16.5	42	-	345	345
WGD3642	18	42	-	378	378
WGD3942	-	-	-	-	-

## GLASS DOOR FOR WALL DIAGONAL CORNER CABINET



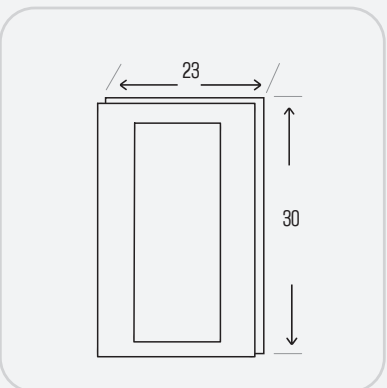
STYLE	WIDTH	HEIGHT	DEPTH	PRICE (\$)	PRICE (\$)
WGDC2430	24	30	12	200	200
WGDC2436	24	36	12	229	229
WGDC2442	24	42	12	257	257

## WALL DUMMY DOOR



STYLE	WIDTH	HEIGHT	DEPTH	PRICE (\$)	PRICE (\$)
WDD1130	11	30	-	43	43
WDD1136	11	36	-	52	52
WDD1142	11	42	-	61	61

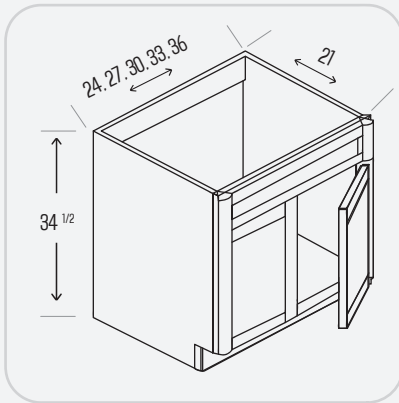
## BASE DUMMY DOOR



STYLE	WIDTH	HEIGHT	DEPTH	PRICE (\$)	PRICE (\$)
BDD2330	23	30	-	84	84

## VANITY- SINK CABINET

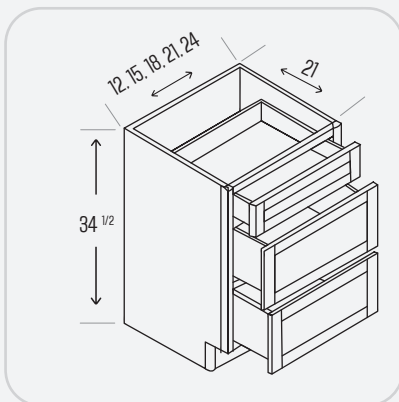
2 DOORS  
1 DUMMY DRAWER



STYLE	WIDTH	HEIGHT	DEPTH	PRICE (\$)	PRICE (\$)
VSB	24	34 1/2	21	200	200
VSB	27	34 1/2	21	216	216
VSB	30	34 1/2	21	233	233
VSB	33	34 1/2	21	250	250
VSB	36	34 1/2	21	266	266

## VANITY DRAWER BASE

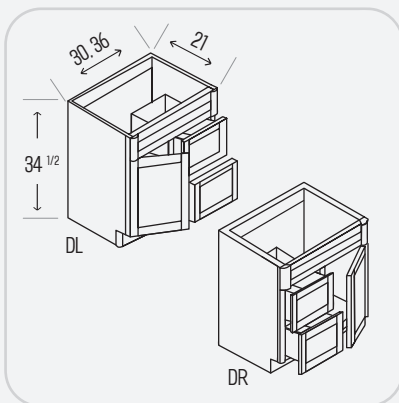
1 SMALL DRAWER  
2 BIG DRAWERS



STYLE	WIDTH	HEIGHT	DEPTH	PRICE (\$)	PRICE (\$)
VDB12	12	34 1/2	21	266	266
VDB15	15	34 1/2	21	283	283
VDB18	18	34 1/2	21	299	299
VDB21	21	34 1/2	21	317	317
VDB24	24	34 1/2	21	332	332

## VANITY SINK + DRAWER COMBO

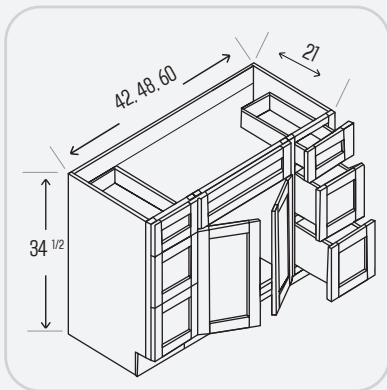
1 DOOR, 1 DUMMY DRAWER  
2 DRAWERS, 1 DOOR ON ONE SIDE  
(LEFT OR RIGHT)



STYLE	WIDTH	HEIGHT	DEPTH	PRICE (\$)	PRICE (\$)
VDSB3021DL	30	34 1/2	21	317	317
VDSB3021DR	30	34 1/2	21	317	317
VDSB3621DL	36	34 1/2	21	349	349
VDSB3621DR	36	34 1/2	21	349	349

## VANITY COMBO CABINET

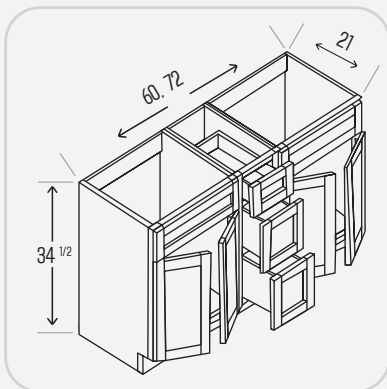
WHOLE CABINET



STYLE	WIDTH	HEIGHT	DEPTH	PRICE (\$)	PRICE (\$)
VDSB4221	42	34 1/2	21	416	416
VDSB4821	48	34 1/2	21	624	624
VDSB6021	60	34 1/2	21	698	698

## VANITY COMBO CABINET

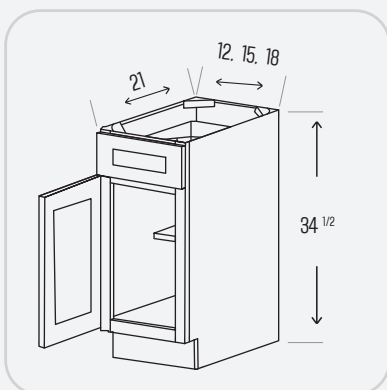
WHOLE CABINET



STYLE	WIDTH	HEIGHT	DEPTH	PRICE (\$)	PRICE (\$)
VCB6021D	60	34 1/2	21	698	698
VCB7221D	72	34 1/2	21	748	748

## VANITY BASE CABINET

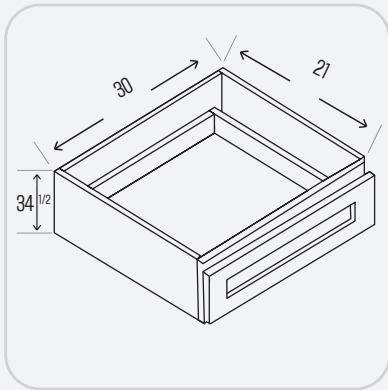
1 DOOR  
1 ADJUSTMENT SHELF  
1 DRAWER



STYLE	WIDTH	HEIGHT	DEPTH	PRICE (\$)	PRICE (\$)
VB1221	12	34 1/2	21	187	187
VB1521	15	34 1/2	21	200	200
VB1821	18	34 1/2	21	216	216
VB2121	21	34 1/2	21	233	233

# VANITY KNEE DRAWER

1 SMALL DRAWER



STYLE	WIDTH	HEIGHT	DEPTH	PRICE (\$)	PRICE (\$)
VKD30	30	6	21	86	86

# COMING SOON! FLOORING OPTIONS

VIEW OUR WIDE VARIETY  
OF FLOORING OPTIONS.



